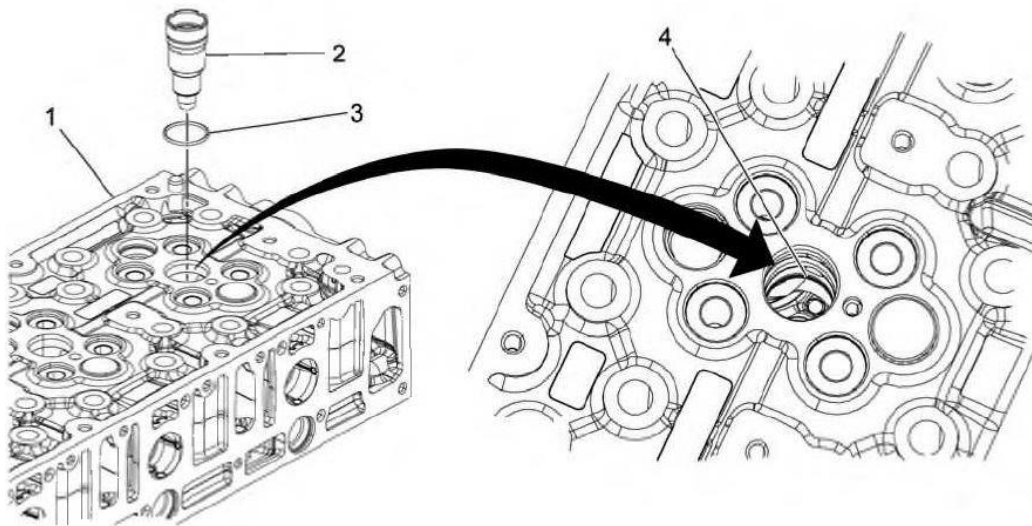




TT00041
Injector Sleeve Installation on 2008-2017 Detroit Diesel®
DD15 & 16 Diesel Engines

The SBI Technical Service Department offers the following information on injector sleeve installation for 2008-2017 Detroit Diesel DD15 & 16 diesel engines. While this repair is possible in-frame, it is best performed while the cylinder head is removed as cleanliness is of the utmost importance.



1. Cylinder Head
2. O-ring
3. Fuel Injector Cup
4. O-ring Sealing Location

Figure 1. Injector Sleeve Detail.

Take extra precautions when cleaning the fuel injector bores to ensure that debris does not enter the fuel system. Do not use power tools to clean the fuel injector bores, use J-47375 hand brush and a rag if this repair is attempted in-frame and do not use compressed air.

1. Clean the fuel injector bore of debris. (**NOTE:** Replace fuel injector cup O-ring with a new O-ring when fuel injector cup is removed or replaced.)
2. Install O-ring in cylinder head, a small amount of silicone based O-ring lubrication will aid in the installation.

3. Coat the threads of the fuel injector cup and cup sealing surface with a high temperature nickel based anti-seize lubricant.
4. Install fuel injector cup onto tool J-47388 and install into cylinder head bore. (**NOTE:** Tool J-47388 must be fully engaged with the fuel injector cup to prevent damage to the tool and the cup.)
5. Torque fuel injector cup to 37 FT/LBS (50 Nm).
6. Release torque approximately 180 degrees.
7. Torque fuel injector cup to 37 FT/LBS (50 Nm). If cylinder head has been removed ensure edge cup is flush with the fire deck.

**Information is from best available sources and is accurate at the time of publication.
However, S. B. International, Inc., ASSUMES NO RESPONSIBILITY and cannot be held liable
for any results or consequences regarding the use of this information.**